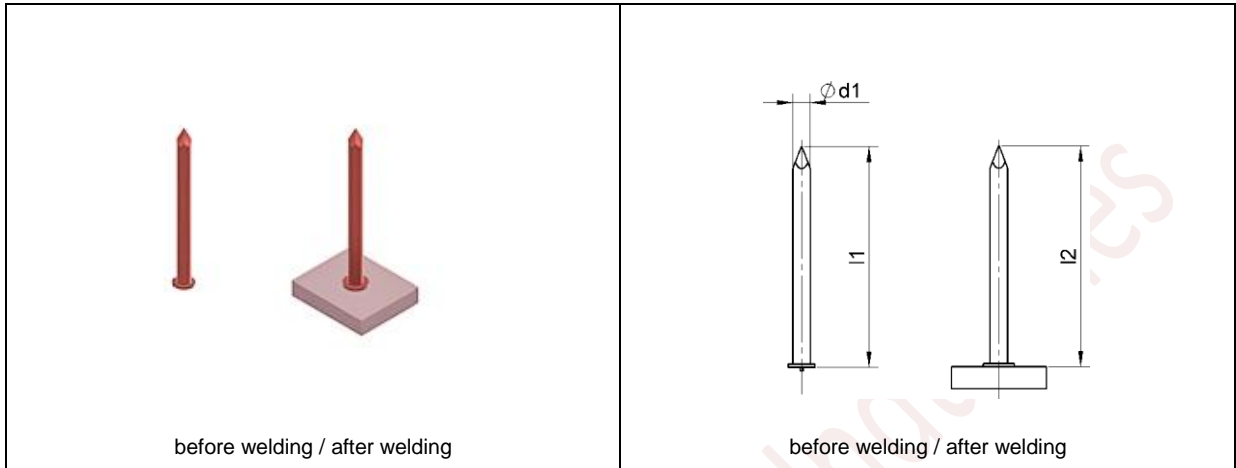


### Insulation nail



Dimensions		
d1	l1	l2
±0.06	±2.00	
2	20-150	≈ l1-0.3
3	20-150	≈ l1-0.3